

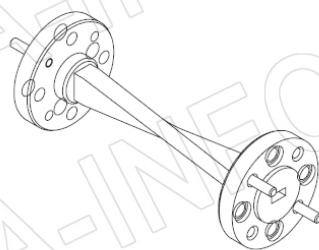
For reference only. See data sheet for the detailed specifications.

Technical Specification



EIA WR	WR12
Frequency Range (GHz)	60.0 – 90.0
Twist Type	Right-Handed
Twist Degree(deg)	90
Insertion Loss (dB)	0.3 Max.
VSWR	1.15:1 Max.
Flange	FUGP740(UG-387/U)
Material	Cu
Size(mm)	50 x 19.1 x 19.1
Net Weight(Kg)	0.02 Around

Outline Drawing (Size: mm)



AINFO Inc.

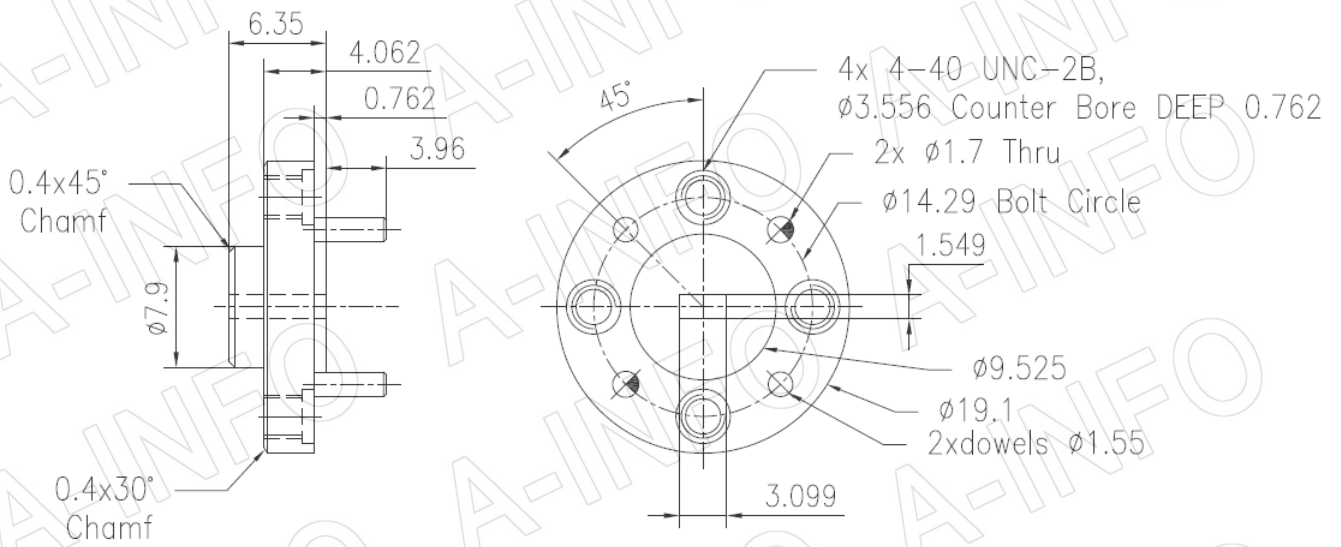
Page 1 of 3

China(Beijing): Tel: (+86) 10-6266-7326,
China(Chengdu): Tel: (+86) 28-8519-2786,
USA: Tel: (+1) 949-639-9688,

(+86) 10-6266-7327 Fax: (+86) 10-6266-7379
(+86) 28-8519-3044 Fax: (+86) 28-8519-3068
(+1) 949-639-9608 Fax: (+1) 949-639-9670

Website: www.ainfoinc.com
Email: sales@ainfoinc.com

Flange Drawing (Size: mm)

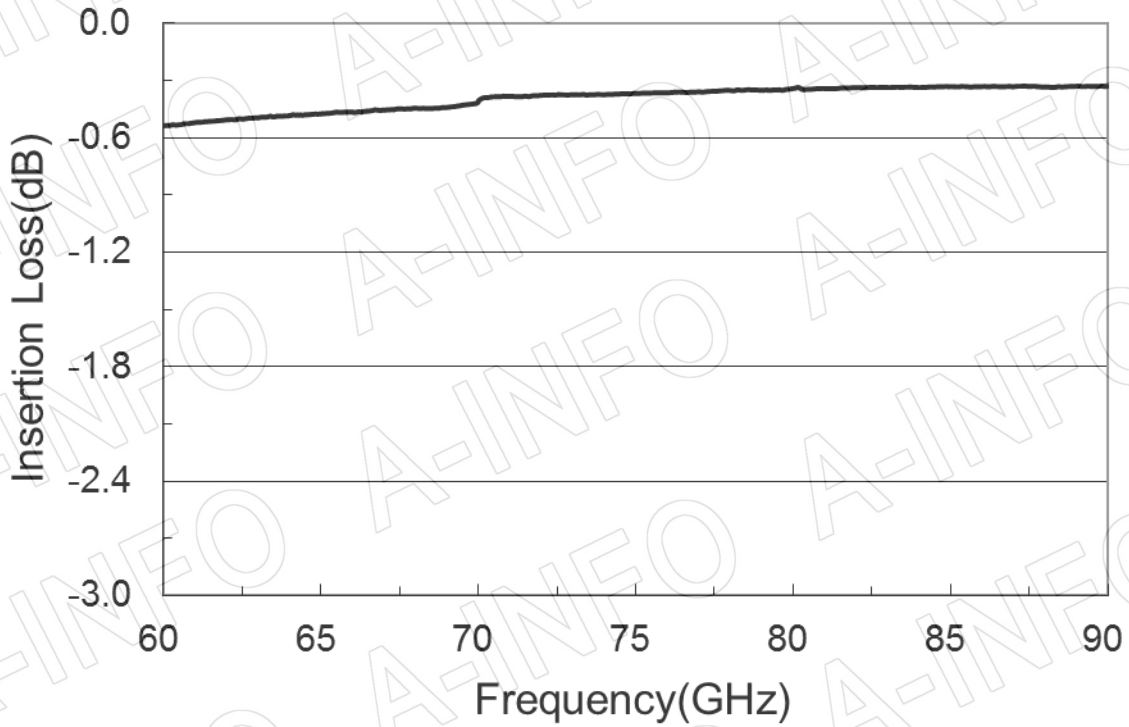


FUGP740
(equivalent to UG-387/U)

Test Results

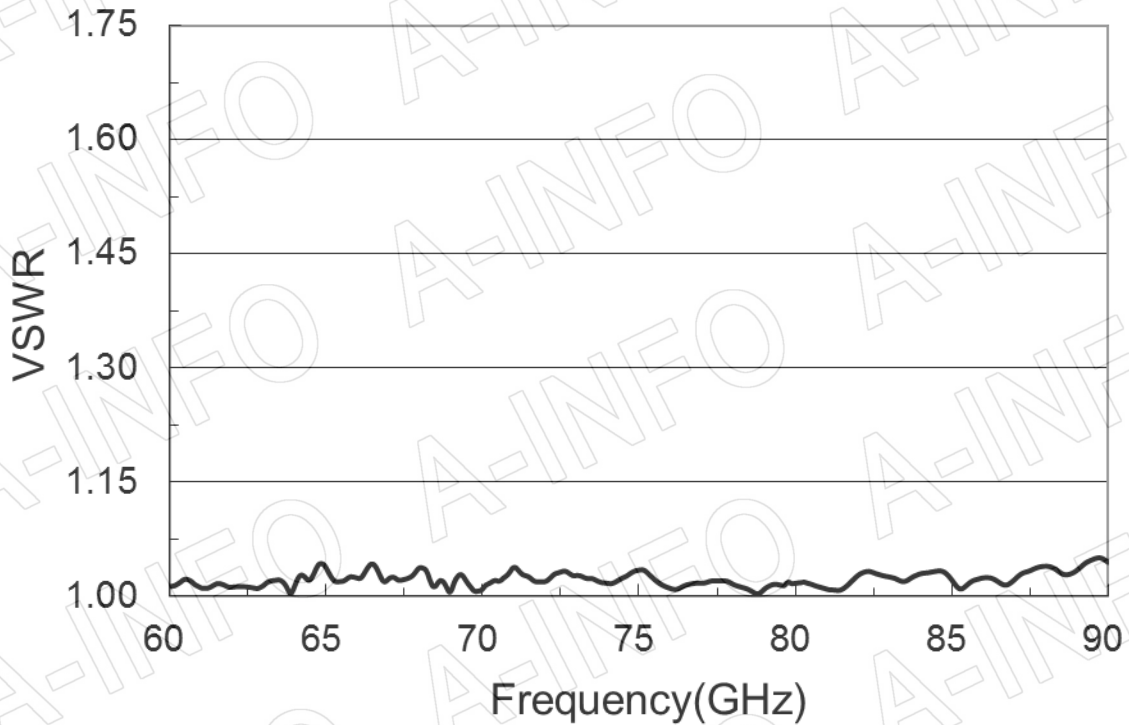
I.L. (Test with two Waveguides back to back)

Min: -0.538 dB



VSWR

Max: 1.050



AINFO Inc.

Page 3 of 3

China(Beijing): Tel: (+86) 10-6266-7326,
China(Chengdu): Tel: (+86) 28-8519-2786,
USA: Tel: (+1) 949-639-9688,

(+86) 10-6266-7327 Fax: (+86) 10-6266-7379
(+86) 28-8519-3044 Fax: (+86) 28-8519-3068
(+1) 949-639-9608 Fax: (+1) 949-639-9670

Website: www.ainfoinc.com
Email: sales@ainfoinc.com